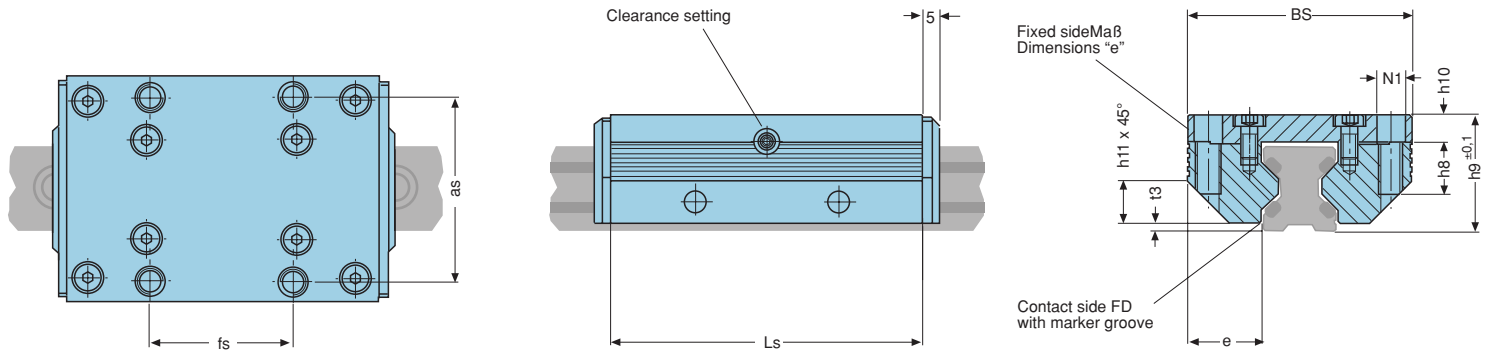


Aluminium Cassette

Standard



Size	Load rating		Moment load rating				Dimensions			other dimensions cassette							Weight Cassette	Order number Cassette
	C	Co	Mocx	Mcx	Mocy/Mocz	Mcy/Mcz	Ls	Bs	h9	as	fs	e	h8	h10	h11	t3		
12	2800	3000	27	25	43	40	64	37	19	30	25	12,50	8	4,0	6	1,4	M4	0,1
15	4200	3400	37	45	58	72	78	47	24	38	30	15,75	10	5,0	8	2,0	M5	0,3
20	5400	5400	76	76	111	111	92	63	30	53	40	21,00	12	7,0	11	2,0	M6	0,4
25	9000	10100	158	142	222	198	98	70	36	57	45	23,50	16	8,5	13	2,5	M8	0,6
35	12500	18000	423	294	559	388	135	100	48	82	62	34,00	20	10,5	20	3,5	M10	1,5
45	21200	25900	827	678	983	806	165	120	60	100	80	37,50	24	13,5	22	4,0	M12	2,9

Dimensions [mm], Load rating, Moments [Nm], Weight [kg]

Technical information cassettes and roller shoes (RSP)

Consist of:

- Aluminium body
- 8 rollers in needle bearings
- Plastic plate on both front sides with felt seal (metal wipers optional, see page 70)

Features:

- Maximum load capacity, smooth and silent run
- 45° - position of the rollers for loads from all directions
- Clip-on wipers with felt seal (metal wipers optional)
- Adjustable preload
- High dynamic load capacity
- Endless stroke lengths by coupling of rails (see page 71)
- Calculation programme to find the most suitable guide size
Our calculation programme can be found in the download area of our homepage www.franke-gmbh.com. We are gladly prepared to calculate the guide size for you.

Traverse speed:

- Traverse speed up to 10 m/s
- Acceleration up to 40 m/s²

Temperature range:

- 20° up to +100°C, short time operation +120°C

Lubrication:

- Maintenance-free due to lifetime-lubrication with grease Shell Retinax LX2

Fastening:

- with screws quality 8.8, tightening torques see technical information (page 74)
- Cassette with 4 fastening screws
- Pair of roller shoes with 12 fastening screws

Adjustment/Preload:

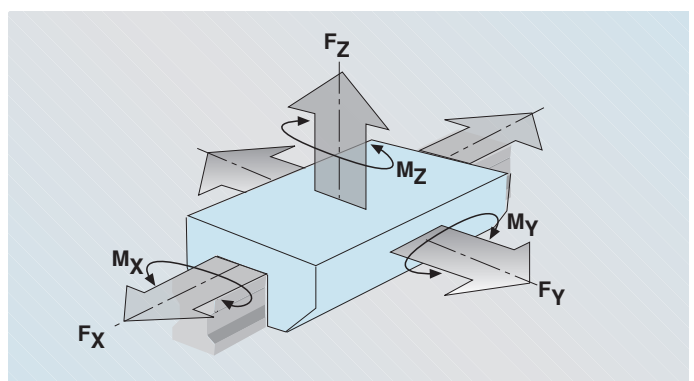
- Easy adjustment by threaded pin on the adjusting side of the cassette. Adjustment of pair of roller shoes by included adjustment plate and threaded pin. Recommended slide resistance see diagr. 1.
- The adjustment should always be made without wipers.

Running accuracy:

- The running accuracy in diagr. 3 refers to a rail length of one meter.

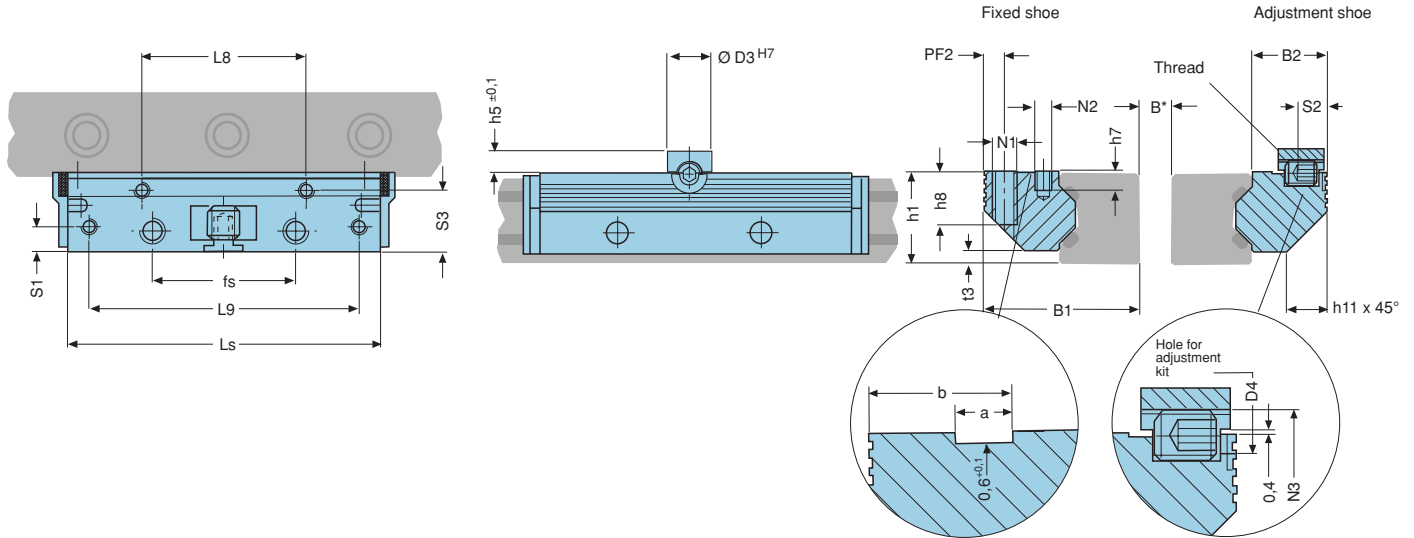
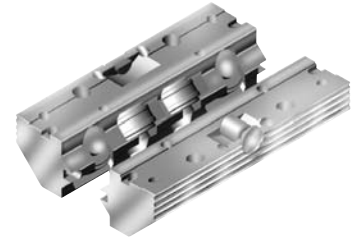
Stiffness:

- With pairs of single rails the stiffness refers to one pair of single rails with one pair of roller shoes (see diagr. 2).



Aluminium roller shoes

Standard



Moment load rating RSP				Dimensions				other dimensions RSP												Weight			Order number RSP	
Mocx	Mcy	Mocx/Mocy	Mcy/Mcz	Ls	B1	h1	h5	PF2	fs	B2	D3	D4	h7	h8	L8	L9	N1	N2	N3	S1	S2	S3	RSP	
1,5(B+30,3)	1,4(B+30,3)	43	40	64	24,4	15,0	4	3,4	25	11,9	8	3	6,0	8	29	57	M4	M3	M4	3,4	4,9	9,7	0,06	
1,7(B+36,5)	2,1(B+36,5)	58	72	78	30,9	19,0	5	4,4	30	15,2	10	4	7,5	10	34	68	M5	M4	M6	4,9	5,9	12,4	0,20	
2,7(B+47,0)	2,7(B+47,0)	111	111	92	40,9	23,0	5	4,9	40	20,4	10	4	8,0	12	42	80	M6	M5	M6	5,9	5,9	16,9	0,30	
5,0(B+58,4)	4,5(B+58,4)	222	198	98	48,4	27,5	7	6,4	45	22,9	14	6	5,0	16	48	84	M8	M5	M8	7,4	8,9	19,4	0,50	
9,0(B+85,0)	6,3(B+85,0)	559	388	135	68,9	37,5	7	8,9	62	32,9	14	6	7,5	20	67	117	M10	M6	M8	8,9	8,9	28,4	1,40	
12,9(B+109,0)	10,6(B+109,0)	983	806	165	82,4	46,5	7	9,9	80	36,4	14	6	9,5	24	83	146	M12	M8	M8	9,9	8,9	30,9	2,80	

Dimensions [mm], Load rating, Moments [Nm], Weight [kg]

	Basic body	Rollers	Wipers
Standard	anodized Aluminium AlMg Si0,5 F28	Bearing steel 100 Cr 6	Plastic plate PA6 with felt wipers
Material			

